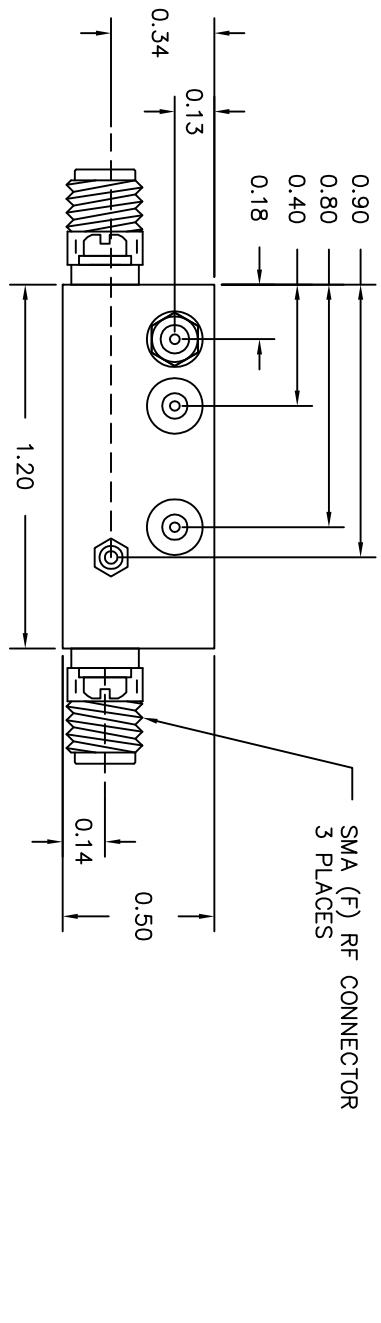


DESCRIPTION

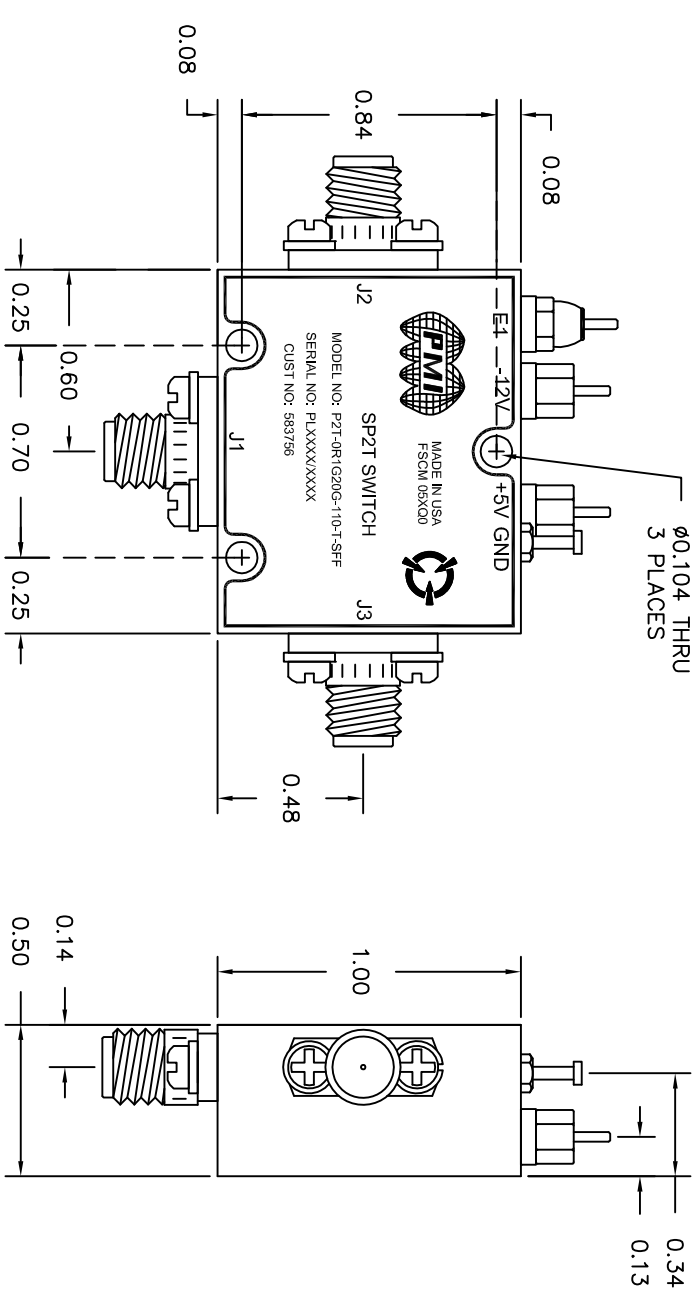
PMI MODEL P2T-0R1G20G-110-T-SFF IS A SINGLE POLE TWO THROW, NON-REFLECTIVE/ABSORPTIVE SWITCH MODULE WITH VERY HIGH ISOLATION, LOW LOSS, HIGH SPEED AND WITH INTEGRAL TTL DRIVER, DESIGNED FOR BROAD BAND OPERATIONS.

REVISIONS			DATE	APPROVED
ZONE	REV.	DESCRIPTION		
	A	ORIGINAL RELEASE	10/18/11	

MECHANICAL OUTLINE



- **FREQUENCY:** 0.1 GHz TO 20 GHz
- **INSERTION LOSS:** 5.0dB MAXIMUM
- **ISOLATION:** 110 MINIMUM
- **VSWR (ON AND OFF):** 2.0:1 MAXIMUM
- **SWITCHING SPEED:** 300 nsec (10% - 90% RF)
- **CONTROL LOGIC:** SINGLE CONTROL TTL TOGGLE LOGIC "0" = J1 - J2 ON LOGIC "1" = J1 - J3 ON
- **RF CONNECTORS:** SMA FEMALE
- **POWER SUPPLY:** + 5V @ 200 mA MAXIMUM
-12V @ 100 mA MAXIMUM
- **RF POWER (SURVIVAL):** +30 dBm (1 WATT)
- **RF POWER (OPERATING):** +20 dBm MAXIMUM
- **RF PHASE TRACKING:** 2 DEGREES PER DEGREE CELSIUS (ALL PORTS WITH RESPECT TO COMMON WITH TEMPERATURE)
- **SIZE:** 1.2" (L) X 1.00" (W) X 0.50" (H)
- **WEIGHT:** 1.2 oz
- **FINISH:** PAINTED GRAY



ENVIRONMENTAL RATINGS


- **TEMPERATURE:** 0°C TO +55°C (OPERATING)
-65°C TO +125°C (STORAGE)
- **HUMIDITY:** MIL-STD-202F, METHOD 103B COND. B
- **SHOCK:** MIL-STD-202F, METHOD 213B COND. B
- **VIBRATION:** MIL-STD-202F, METHOD 204D COND. B
- **ALTITUDE:** MIL-STD-202F, METHOD 105C COND. B
- **TEMPERATURE CYCLE:** MIL-STD-202F, METHOD 107D COND. A

NOTE: THE ABOVE SPECIFICATIONS ARE SUBJECT TO CHANGE DR REVISION

ALL DIMENSIONS ARE IN INCHES

TOLERANCES:
X.XX ±0.020
X.XXX ±0.010

PLANAR MONOLITHICS INDUSTRIES, INC.
 7311-F GROVE ROAD
 FREDERICK, MARYLAND 21704 USA
 TEL: 301-662-5019 FAX: 301-662-1731
 WEBSITE: www.pmi-ri.com
 E-MAIL: sales@pmi-ri.com
 ISO 9001:2000 CERTIFIED



PRODUCT FEATURE
 P2T-0R1G20G-110-T-SFF

APPROVALS	DATE	TITLE
<i>JJR</i>	10/18/11	PRODUCT FEATURE

DRAWN	CHECKED	ISSUED	SIZE	FSCM NO.	DWG NO.	REV.
<i>JJR</i>			A	05X00	27015321	A

SCALE N:S SHEET 1 OF 1