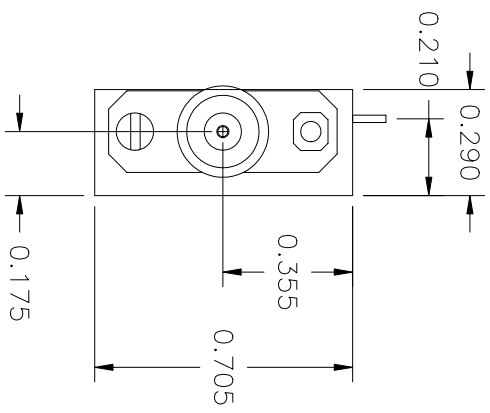
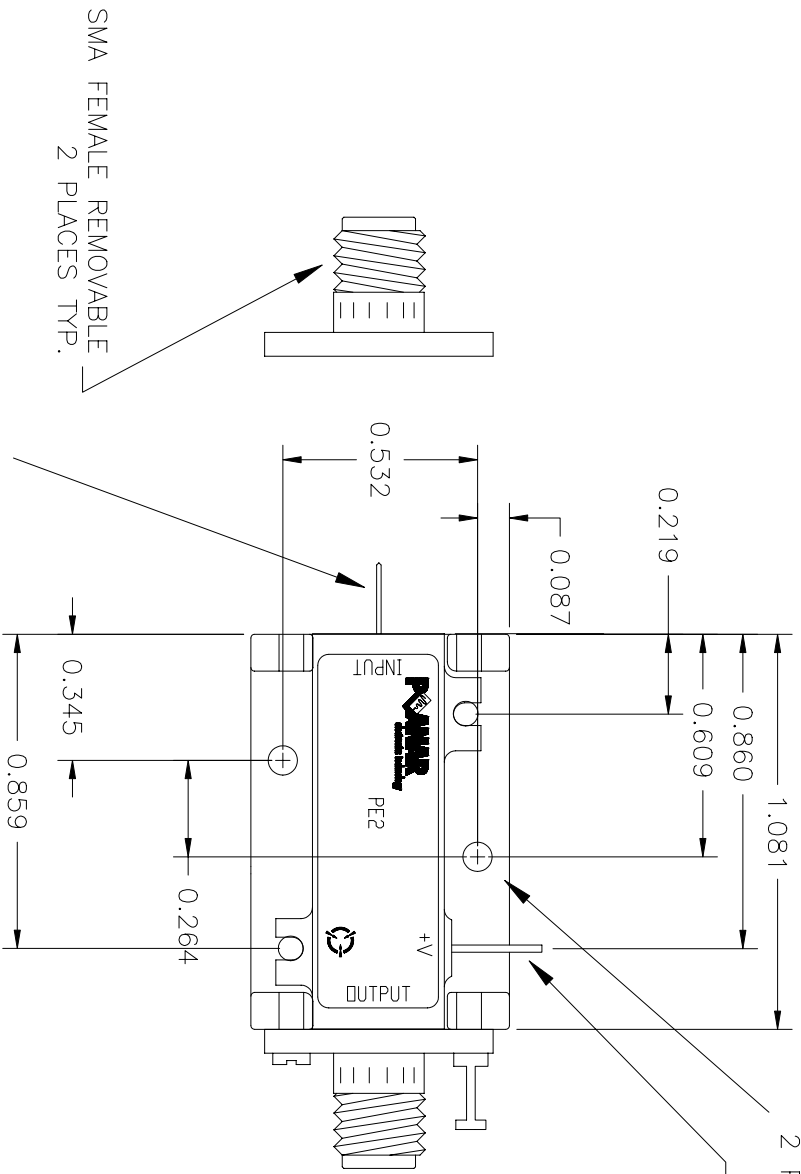


REVISIONS				
ZONE	REV.	DESCRIPTION	DATE	APPROVED
-	-	OUTLINE DRAWING	11/16/99	
A		Changed Dim's to X.XXX Tolerance	6/21/04	
B		Changed overall height from .367 to .290	11/12/04	



ALL DIMENSIONS ARE IN INCHES  
 TOLERANCES: +/-0.010  
 X.XX  
 X.XXX +/-0.005

**PANAR**  
*electronics technology*

7311-G GROVE ROAD  
 FREDERICK, MARYLAND

Mechanical Drawing  
 PE2 / PM2

APPROVALS	DATE	SIZE	SHEET 1 OF 1
DRAWN KS	11/16/99	A	
CHECKED			