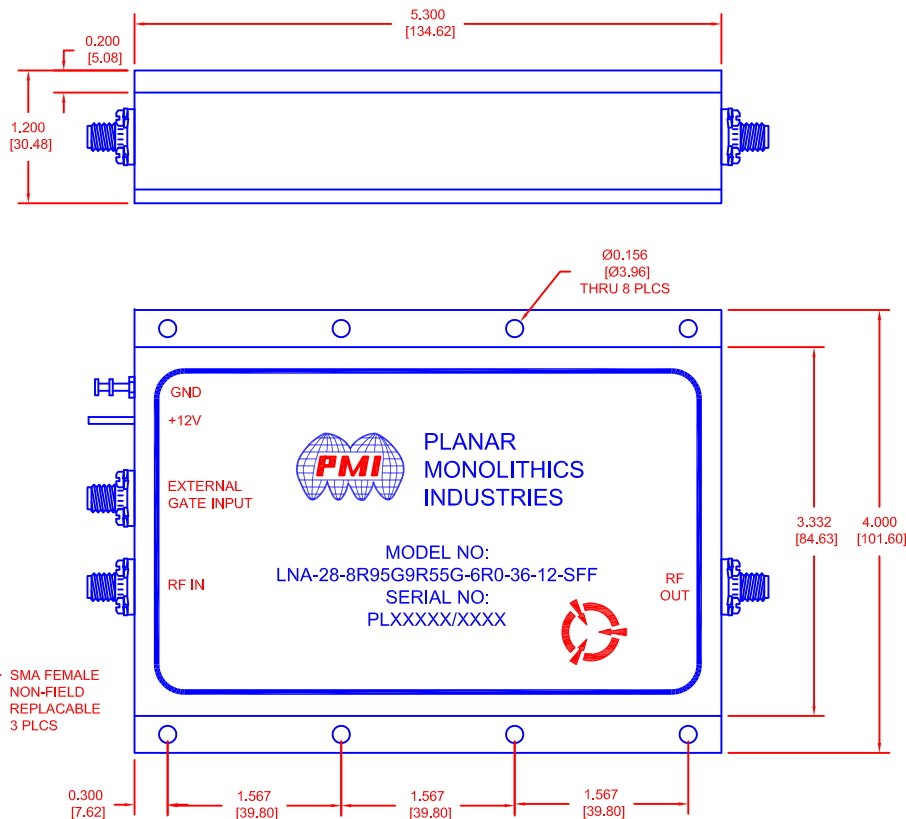
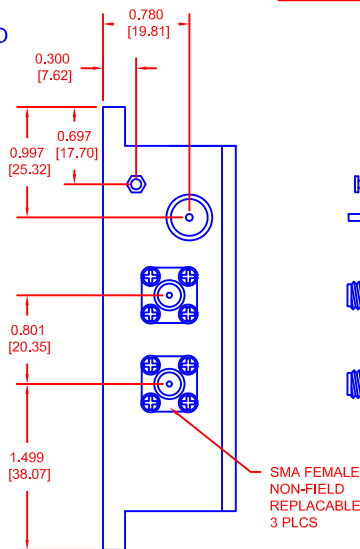


## DESCRIPTION

PMI MODEL: LNA-28-8R95G9R55-6R0-36-12-SFF IS A NARROWBAND AMPLIFIER THAT PROVIDES A MINIMUM GAIN OF 28 dB WHILE MAINTAINING A MAXIMUM GAIN FLATNESS OF 1.5 dB MAXIMUM OVER THE OPERATING FREQUENCY. THE MAXIMUM NOISE FIGURE IS 6.0 dB AND OFFERS A MINIMUM OP1dB OF +36 dBm. THE AMPLIFIER REQUIRES +12 VDC AND A CURRENT DRAW OF 6 AMPS MAXIMUM. THIS AMPLIFIER IS SUPPLIED WITH NONREMOVABLE SMA FEMALE CONNECTORS.

## SPECIFICATIONS

- FREQUENCY RANGE: 8.95 TO 9.55 GHz
- OUTPUT P1dB: 36 dBm MINIMUM
- GAIN: 28 dB MINIMUM
- NOISE FIGURE @ 23 °C: 4 dB GOAL  
6 dB MAX
- GAIN FLATNESS VS FREQUENCY: ±1.5 dB MAX
- EXTERNAL GATE: 5V TTL, LOW ENABLE, 1 μS PRIOR TO RF APPLICATION, SMA FEMALE
- INPUT/OUTPUT VSWR: 1.80:1 MAX
- POWER SUPPLY: +12 VDC @ 6 A TYP
- CONNECTORS (RF): SMA FEMALE
- SIZE: 5.3" x 4.0" x 1.2"
- WEIGHT (WITH HEATSINK): TBD



## ENVIRONMENTAL RATINGS

- TEMPERATURE: -40 °C TO +85 °C (OPERATING)
- HUMIDITY: MIL-STD-202, METHOD 103B COND. B
- SHOCK: MIL-STD-202, METHOD 213B COND. B
- VIBRATION: MIL-STD-202, METHOD 204D COND. B
- ALTITUDE: MIL-STD-202, METHOD 105C COND. B
- TEMPERATURE CYCLE: MIL-STD-202, METHOD 107D COND. A

NOTE: SPECIFICATIONS WILL VARY OVER OPERATING TEMPERATURE  
NOTE: THE ABOVE SPECIFICATIONS ARE SUBJECT TO CHANGE OR REVISION

**PMI CONFIDENTIAL AND PROPRIETARY**

ALL DIMENSIONS  
ARE IN INCHES (mm)  
TOLERANCES:  
X.XX ±0.020  
X.XXX ±0.010

REVISIONS				
ZONE	REV.	DESCRIPTION	DATE	APPROVED
	-	PRELIMINARY	1/15/16	

## MECHANICAL OUTLINE

**PLANAR MONOLITHICS INDUSTRIES, INC.**  
7311-F GROVE ROAD  
FREDERICK, MARYLAND 21704 USA  
TEL: (301)-662-5019, FAX: (301)-662-1731  
WEB: [www.pmi-rf.com](http://www.pmi-rf.com), EMAIL: [sales@pmi-rf.com](mailto:sales@pmi-rf.com)  
ISO 9001 CERTIFIED



APPROVALS		DATE	TITLE		
DRAWN <i>M. Berry</i>		1/15/16	PRODUCT FEATURE LNA-28-8R95G9R55G-6R0-36-12-SFF		
CHECKED			SIZE A	FSCM NO. 05XQ0	DWG NO. PRELIMINARY
ISSUED			SCALE N:S	SHEET 1 OF 1	REV. -