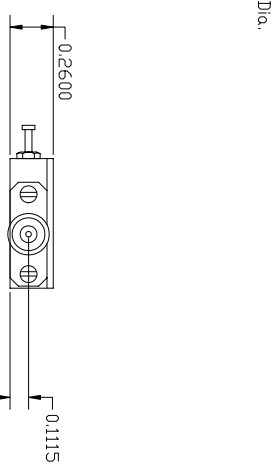
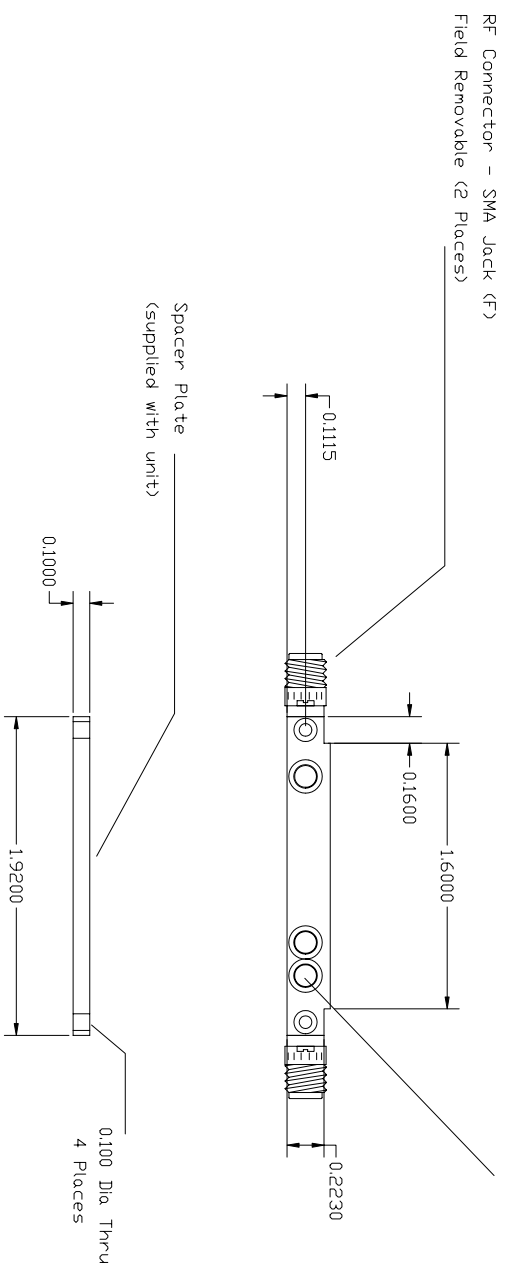
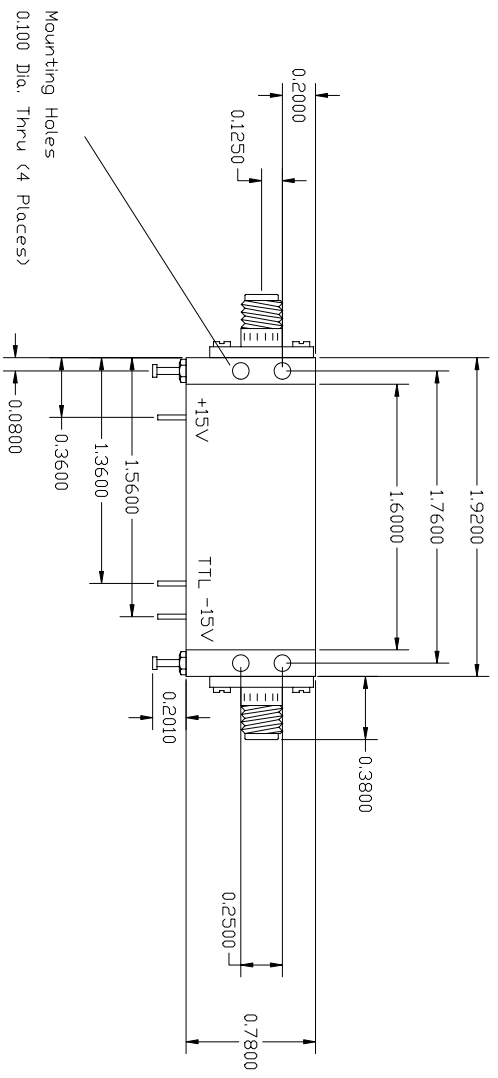


REVISIONS				
ZONE	REV.	DESCRIPTION	DATE	APPROVED
	A	ORIGINAL RELEASE	02/28/02	



MATERIAL: ALUMINUM ALLOY		FINISH: ANODIZED	
DIMENSIONS: SEE DRAWING		TOLERANCES: DECIMALS ANGLES	
DRAWN: JKL		DATE: 2/28/02	
CHECKED: [Signature]		ENGR: [Signature]	
TITLE: Amplifier Mechanical PEC-3 Housing		PART NO. 7311-G GROVE ROAD FREDERICK, MARYLAND	
SIZE: B		SCALE: 1 OF 1	
REV: A		DATE: 02/28/02	