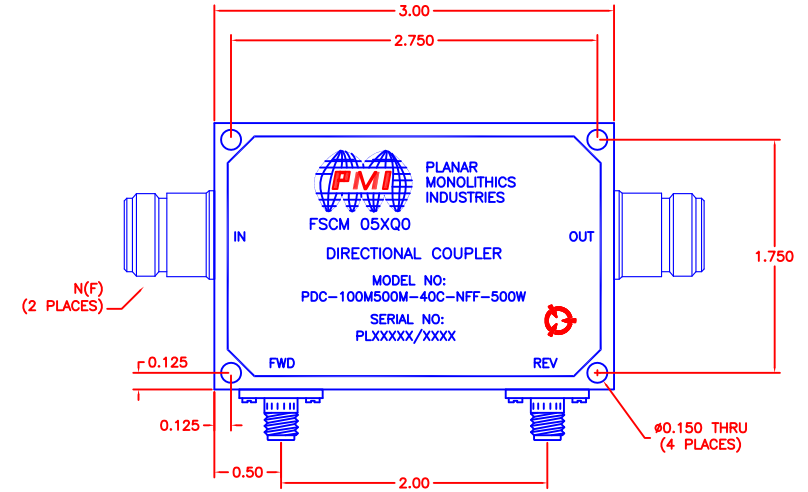
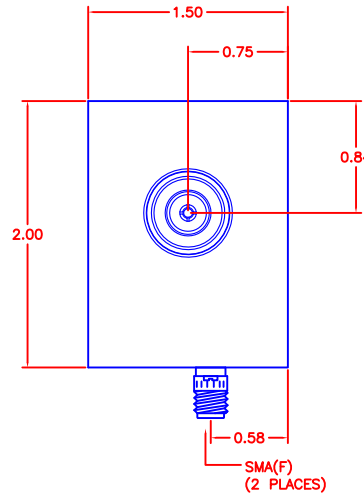


DESCRIPTION

PMI MODEL PDC-100M500M-40C-NFF-500W IS A 100MHZ TO 500MHZ DIRECTIONAL COUPLER HAVING A 40DB COUPLING FACTOR AND > 20DB DIRECTIVITY. THIS MODEL HANDLES AN INPUT POWER OF 500 WATTS CW.

SPECIFICATIONS

- FREQUENCY RANGE: 100 TO 500 MHz
- INSERTION LOSS: 0.20 dB MAXIMUM
- VSWR: 1.15:1 MAXIMUM
- DIRECTIVITY: 20dB MINIMUM
- COUPLING: 40 dB \pm 1 dB
- COUPLING FLATNESS: \pm 0.50 dB MAXIMUM
- POWER HANDLING: 500 WATTS MAXIMUM
- IMPEDANCE: 50 Ω
- CONNECTORS: N(F) – RF INPUT & OUTPUT
..... SMA(F) – FWD & REV
- FINISH: PAINTED BLUE



REVISIONS				
ZONE	REV.	DESCRIPTION	DATE	APPROVED
	-	PRELIMINARY	4/23/15	K.M.

PMI CONFIDENTIAL AND PROPRIETARY

PLANAR MONOLITHICS INDUSTRIES, INC.

7311-F GROVE ROAD
 FREDERICK, MARYLAND 21704 USA
 TEL: 301-662-5019 FAX: 301-662-1731
 WEBSITE: www.pmi-rf.com
 E-MAIL: sales@pmi-rf.com
 ISO 9001 CERTIFIED



ENVIRONMENTAL RATINGS:

- TEMPERATURE: -25°C TO +85°C (OPERATING)
..... -55°C TO +150°C (STORAGE)

NOTE: SPECIFICATIONS WILL VARY OVER OPERATING TEMPERATURE
 NOTE: THE ABOVE SPECIFICATIONS ARE SUBJECT TO CHANGE OR REVISION

ALL DIMENSIONS ARE IN INCHES
 TOLERANCES:
 X.XX \pm 0.020
 X.XXX \pm 0.010

APPROVALS		DATE	TITLE			
DRAWN <i>K. MASON</i>		4/23/15	PRODUCT FEATURE PDC-100M500M-40C-NFF-500W 0.1 TO 0.5GHz DIRECTIONAL COUPLER			
CHECKED			SIZE A	FSCM NO. 05XQ0	DWG NO. PRELIMINARY	REV. -
ISSUED			SCALE N:S	SHEET 1 OF 1		