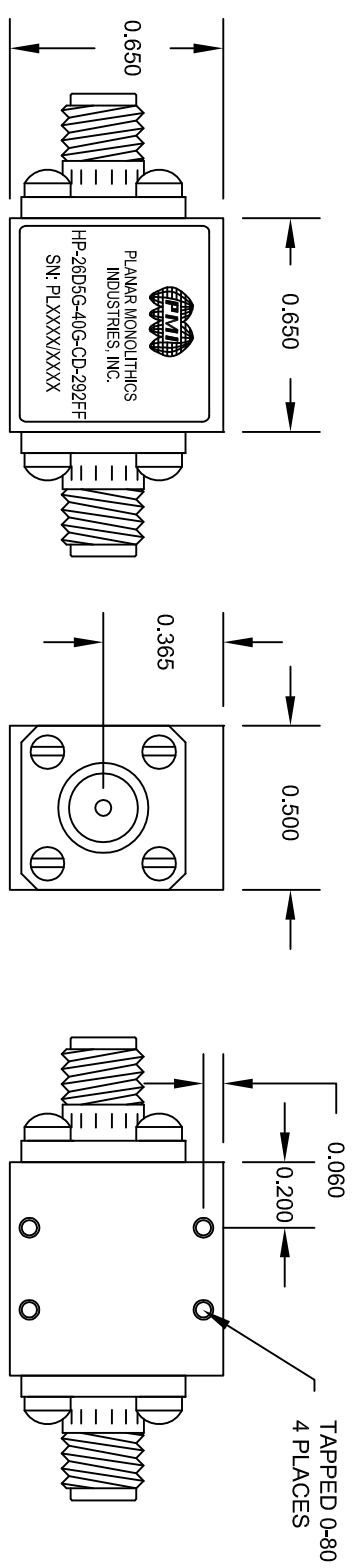


REVISIONS			DATE	APPROVED
ZONE	REV.	DESCRIPTION		
A		ORIGINAL RELEASE	9/12/11	

DESCRIPTION:
 PML model number HP-26D5G-40G-CD-292FF is a High Pass filter with 2.92mm female connectors in and out. All filters will be machined and silver plated to provide the highest possible Q.

- SPECIFICATIONS:**
- PASSBAND 26.5 GHz TO 40 GHz
 - 1dB CUTOFF 26.5 GHz
 - VSWR IN THE PASS BAND: 2.0:1 MAX.
 - INSERTION LOSS (PASSBAND) 2 dB MAX.
 - REJECTION @ 20 GHz: 54 dBc



- CONNECTORS: 2.92mm FEMALE CONNECTORS
- SIZE 0.650" (L) x 0.650" (W) x 0.500" (H)
- WEIGHT 1 OZ. TYP.

ENVIRONMENTAL RATINGS:

- TEMPERATURE: -55°C TO +85°C (OPERATING)
 -65°C TO +125°C (STORAGE)
- HUMIDITY: MIL-STD-202F, METHOD 103B COND. B
- SHOCK: MIL-STD-202F, METHOD 213B COND. B
- VIBRATION: MIL-STD-202F, METHOD 204D COND. B
- ALTITUDE: MIL-STD-202F, METHOD 105C COND. B
- SALT FOG: MIL-STD-202F, METHOD 107D COND. A
- FUNGUS: MIL-STD-810C, METHOD 508.2
- TEMPERATURE CYCLE: MIL-STD-202F, METHOD 107

NOTE: THE ABOVE SPECIFICATIONS ARE SUBJECT TO CHANGE OR REVISION

ALL DIMENSIONS ARE IN INCHES
 TOLERANCES:
 X.XXX ±0.010
 X.XXX ±0.005

PART NO.		TITLE	
APPROVALS		PLANAR MONOLITHICS INDUSTRIES FREDERICK, MARYLAND	
DRAWN	DATE	OUTLINE DRAWING	
S PALACID	9/12/11	HP-26D5G-40G-CD-292FF	
CHECKED		SIZE	REV.
ISSUED		A	A
		SCALE	SHEET
		N/A	1 OF 1
		FSCM NO.	DWG NO.
		05X00	27015061