

DESCRIPTION:

PLANAR MONOLITHICS INDUSTRIES MODEL NUMBER LM-161605-10W1-HPR IS A HIGH POWER LIMITER THAT WORKS FROM 16 GHz TO 16.5 GHz THAT HANDLES 40 WATTS PEAK POWER WITH A PULSE WIDTH OF 15 us.

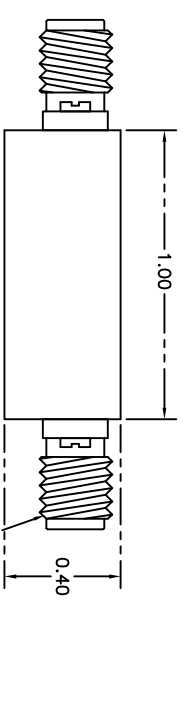
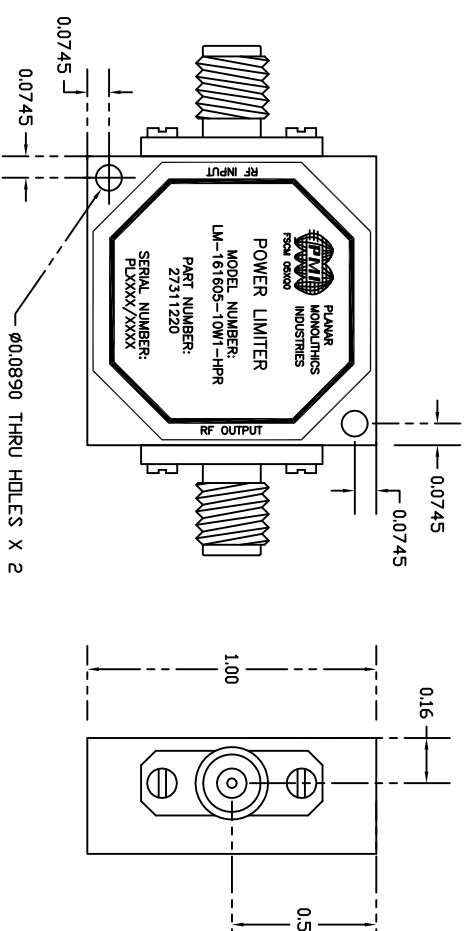
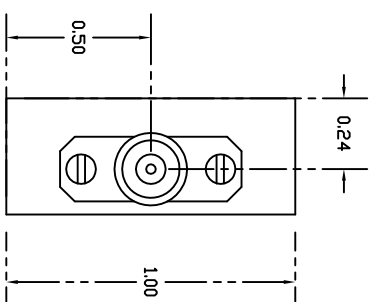
REVISIONS			DATE	APPROVED
ZONE	REV.	DESCRIPTION		
	A	ORIGINAL RELEASE	9/28/09	
	B	Updated Mechanical Layout	12/16/09	
	C	Updated Specs	11/4/11	

SPECIFICATIONS:

- FREQUENCY:..... 16.0 TO 16.5 GHz
- INSERTION LOSS:..... 1.5 dB MAXIMUM
- VSWR: (IN/OUT):..... 17dB TYP
- RF INPUT POWER..... 160W Peak, 40W Average
- PULSE WIDTH:..... 15 us
- DUTY CYCLE:..... 25%
- RF LEAKAGE:..... 13 dBm MAXIMUM
- LIMITING THRESHOLD:..... +5 dBm TYPICAL
- RECOVERY TIME:..... 1 us
- CONNECTORS: SMA FEMALE (INPUT AND OUTPUT)
- SIZE:..... 1.00" X 1.00" X 0.400"
- WEIGHT: 1.5 OZ
- FINISH: PAINTED GRAY

ENVIRONMENTAL RATINGS

- TEMPERATURE:..... -55°C TO +85°C (OPERATING)
-65°C TO +125°C (STORAGE)
- HUMIDITY:..... MIL-STD-202F, METHOD 103B COND. B
- SHOCK:..... MIL-STD-202F, METHOD 213B COND. B
- VIBRATION:..... MIL-STD-202F, METHOD 204B COND. B
- ALTITUDE:..... MIL-STD-202F, METHOD 105C COND. B
- TEMPERATURE CYCLE:..... MIL-STD-202F, METHOD 107D COND. A



SMA FEMALE CONNECTOR 2 PLACES

M/N = MANUFACTURER PART NUMBER
O/N = OPTION NUMBER
S/N = SERIAL NUMBER

PLANAR MONOLITHICS INDUSTRIES, INC.
 7311-F GROVE ROAD
 FREDERICK, MARYLAND 21704 USA
 TEL: 301-662-5019 FAX: 301-662-1731
 WEBSITE: www.pml-ri.com
 E-MAIL: sales@pml-ri.com
 ISO 9001:2008 CERTIFIED



PRODUCT FEATURE

LM-161605-10W1-HPR
 16 - 16.5 HIGH POWER LIMITER

APPROVALS	DATE	TITLE	SIZE	FSQ# NO.	DWG NO.	REV.
DRAWN	12/16/09	LM-161605-10W1-HPR	A	05XQ0	27011224	C
CHECKED						
ISSUED						

ALL DIMENSIONS ARE IN INCHES
 TOLERANCES: ±0.010
 X.XX ±0.005
 X.XXX

NOTE: THE ABOVE SPECIFICATIONS ARE SUBJECT TO CHANGE OR REVISION
 SPECIFICATIONS MAY VARY OVER TEMPERATURE