

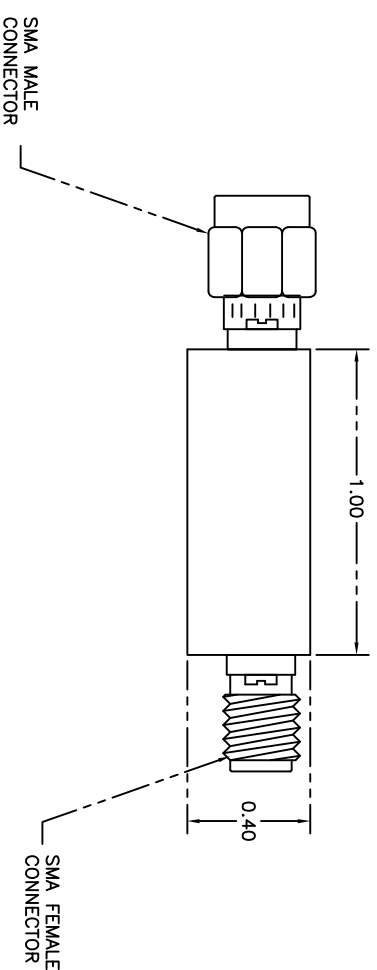
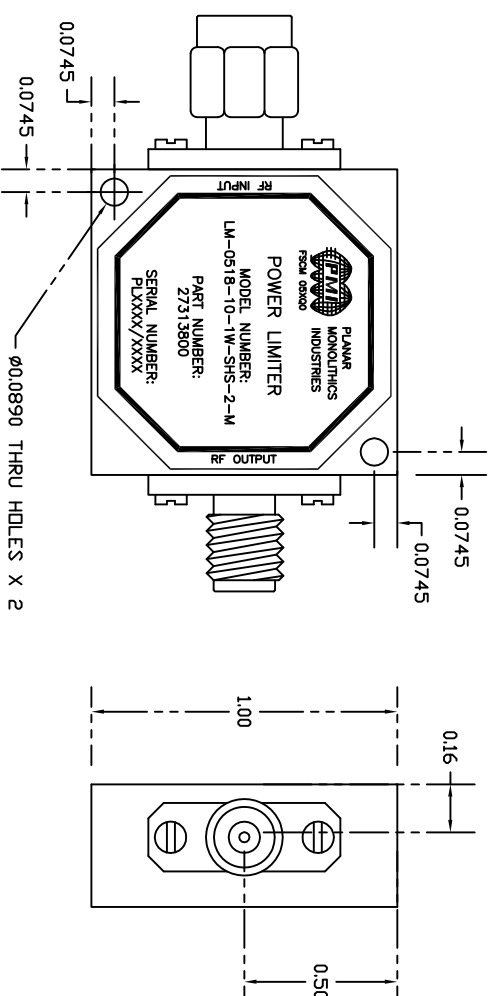
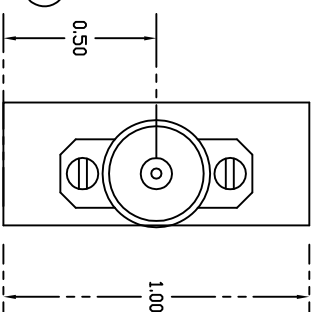
DESCRIPTION:

PLANAR MONOLITHICS INDUSTRIES MODEL NUMBER LM-0518-10-1W-SHS-2-M IS A HIGH POWER LIMITER THAT WORKS FROM 500 MHZ TO 18 GHZ THAT HANDLES 100 WATTS PEAK POWER WITH A PULSE WIDTH OF 1 USEC

REVISIONS				
ZONE	REV.	DESCRIPTION	DATE	APPROVED
	A	ORIGINAL RELEASE	9/28/09	
	B	Updated Mechanical Layout	12/16/09	

SPECIFICATIONS:

- FREQUENCY:..... 500 Mhz to 18 Ghz
- INSERTION LOSS @-20 dBm..... 2.0 dB (Max) 1.5 dB (Typ)
- VSWR@-20 dBm..... 2.0:1 (MAX) 1.5:1 (Typ)
- LEAKAGE @ 1 WATT CW IMMUNE..... +14 dBm (Max) +10 dBm (Typ)
- PEAK POWER:..... 100 WATTS
- PULSE WIDTH:..... 1 uS
- DUTY CYCLE:..... 0.1%
- CONNECTOR (INPUT)..... SMA MALE
- CONNECTOR (OUTPUT)..... SMA FEMALE
- SIZE:..... 1.00 X 1.00 X .400 (H)
- WEIGHT:..... 1.5 OZ. MAXIMUM
- FINISH:..... PAINTED GRAY



ENVIRONMENTAL RATINGS

- TEMPERATURE:..... -54°C TO +85°C (OPERATING)
-65°C TO +100°C (STORAGE)
- HUMIDITY:..... MIL-STD-202F, METHOD 103B COND. B
- SHOCK:..... MIL-STD-202F, METHOD 213B COND. B
- VIBRATION:..... MIL-STD-202F, METHOD 204B COND. B
- ALTITUDE:..... MIL-STD-202F, METHOD 105C COND. B
- TEMPERATURE CYCLE:..... MIL-STD-202F, METHOD 107D COND. A

M/N = MANUFACTURER PART NUMBER
O/N = OPTION NUMBER
S/N = SERIAL NUMBER

PLANAR MONOLITHICS INDUSTRIES, INC.
 7311-F GROVE ROAD
 FREDERICK, MARYLAND 21704 USA
 TEL: 301-662-5019 FAX: 301-662-1731
 WEBSITE: www.pmi-ri.com
 E-MAIL: sales@pmi-ri.com
 ISO 9001:2008 CERTIFIED



APPROVALS		DATE	TITLE	
DRAWN <i>YJK</i>		10/28/2010	PRODUCT FEATURE	
CHECKED			LM-0518-10-1W-SHS-2-M	
ISSUED			500MHZ TO 18GHZ HIGH POWER LIMITER	
SCALE	N:S	SIZE	FSQM NO.	DWG NO.
		A	05X00	27013801
SHEET				1 OF 3

ALL DIMENSIONS ARE IN INCHES
 TOLERANCES:
 X.XX ±0.010
 X.XXX ±0.005

NOTE: THE ABOVE SPECIFICATIONS ARE SUBJECT TO CHANGE OR REVISION
 SPECIFICATIONS MAY VARY OVER TEMPERATURE