

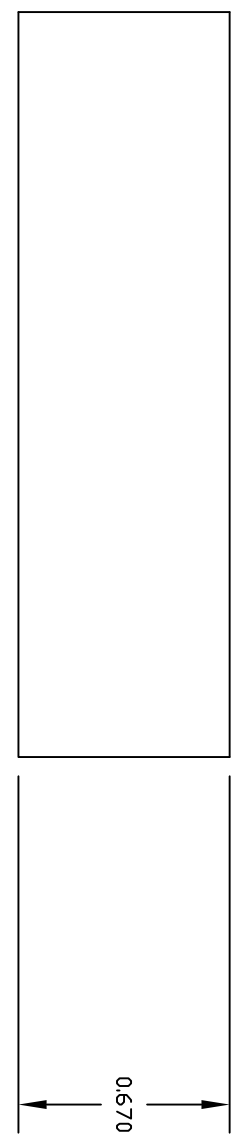
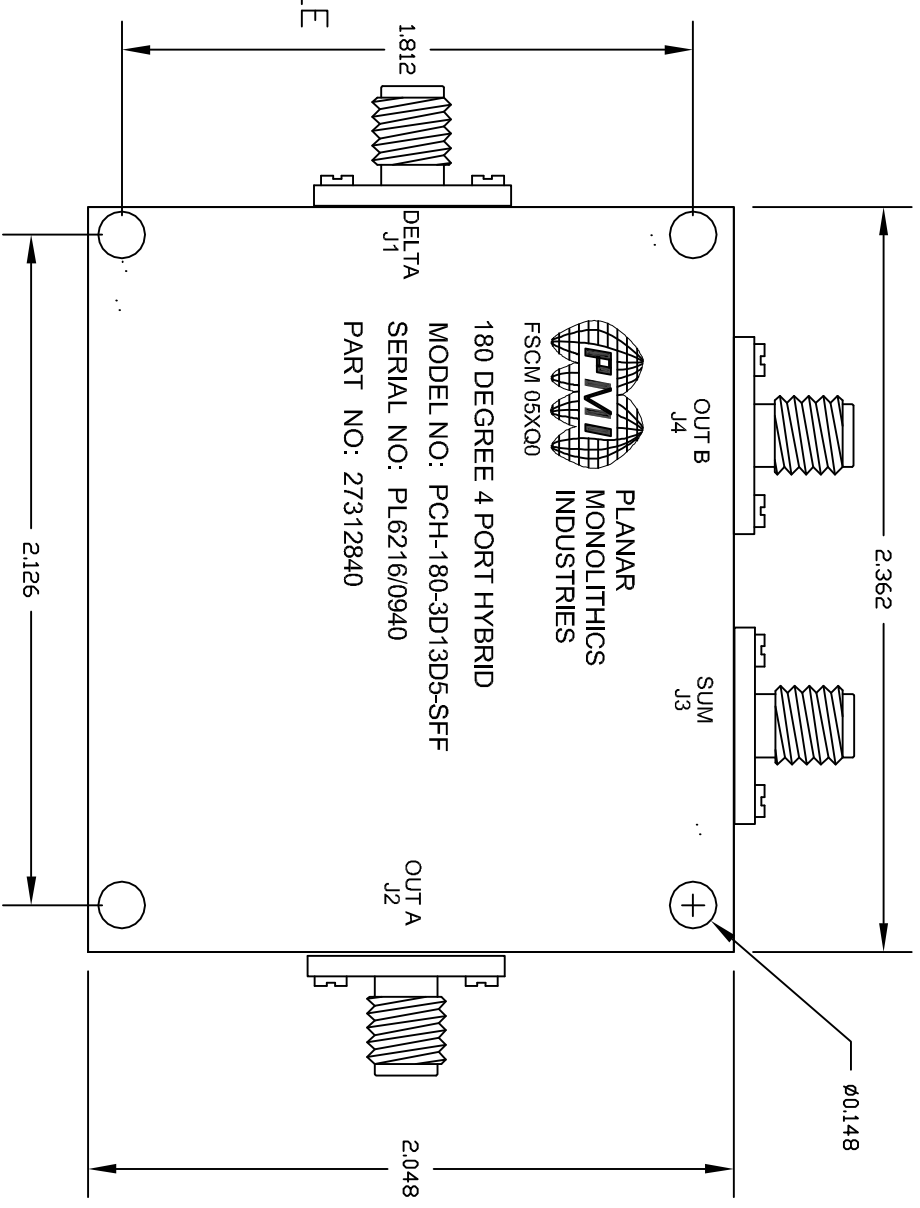
DESCRIPTION

THE MODEL PCH-180-3D13DS-SFF IS A 180° RING HYBRID COUPLER THAT OPERATES FROM 3.1 TO 3.5 GHz. FURTHERMORE, INSERTION LOSS, AMPLITUDE BALANCE AND PHASE BALANCE ARE OPTIMIZED BETWEEN PORTS.

REVISIONS				
ZONE	REV.	DESCRIPTION	DATE	APPROVED
	A	ORIGINAL RELEASE	05/17/10	

SPECIFICATIONS

- FREQUENCY RANGE: 3.1 GHz TO 3.5 GHz
- INSERTION LOSS: 0.4 DB TYPICAL
- VSWR: 1.3:1 MAXIMUM
- AMPLITUDE BALANCE: +/- 0.3 DB TYPICAL
- PHASE BALANCE: +/- 3° TYPICAL
- ISOLATION: 20 DB TYPICAL
- INPUT POWER: 50 WATTS MAX. 1KW PEAK 5 % DUTY CYCLE
- SIZE: 2.126 x 2.048 x 0.67
- CONNECTORS: SMA FEMALE



ENVIRONMENTAL RATINGS

- TEMPERATURE: -55°C TO +85°C (OPERATING)
-65°C TO +100°C (STORAGE)
- HUMIDITY: MIL-STD-202F, METHOD 103B COND. B
- SHOCK: MIL-STD-202F, METHOD 213B COND. B
- VIBRATION: MIL-STD-202F, METHOD 204D COND. B
- ALTITUDE: MIL-STD-202F, METHOD 105C COND. B
- TEMPERATURE CYCLE: MIL-STD-202F, METHOD 107D COND. A

NOTE: SPECIFICATIONS WILL VARY OVER OPERATING TEMPERATURE
NOTE: THE ABOVE SPECIFICATIONS ARE SUBJECT TO CHANGE OR REVISION

UNLESS OTHERWISE SPECIFIED DIMENSIONS ARE IN INCHES TOLERANCES ARE DECIMALS FRACTIONS		PART NO.		PLANAR MONOLITHICS INDUSTRIES 5715 INDUSTRY LANE UNIT 11 FREDERICK, MARYLAND	
MATERIAL: ALUMINUM ALLOY 6061-T6		APPROVALS	DATE	TITLE DUTLINE DRAWING PCH-180-3D13DS-SFF	
FINISH: 50 u in MIN GOLD PLATE PAINT LUSTRELESS GRAY		DRW: J.J.	05/17/10	SIZE: FSCM NO. B	ENG NO. 27012845
CHECKED		ISSUED		SCALE: N/S	SHEET 1 OF 1
NEXT ASSY		USED ON	APPLICATION		